

(FEMALE TYPE)

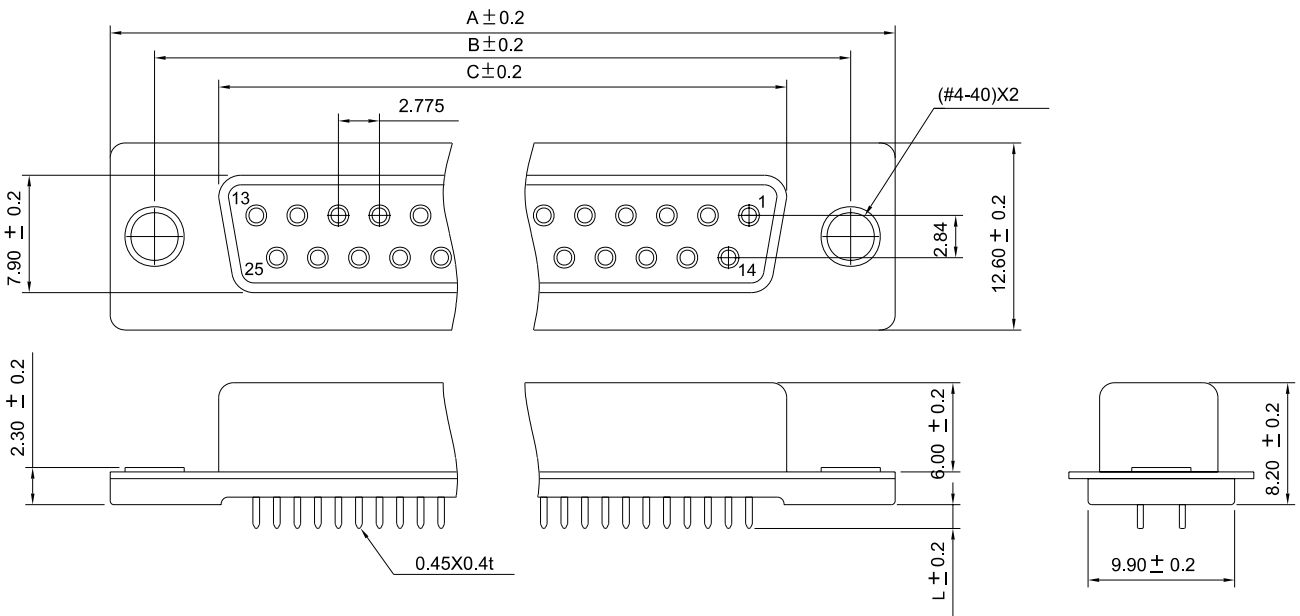


070906FS Series

Mates with SUYIN 070800M, 070900M, 070200M Series

Specifications:

- 9,15,25 Circuits
- Insulator Material : Black High Temp. Plastic
- Operating Temp.Range : -40°C to +230°C
- Terminal Material : Phosphor Bronze
- Plating : Contact-Gold Plated
: Metal shell-Nickel Plated
- Max. Current Rating : 2.5A
- Voltage Rating : 250V AC
- Dielectric Strength : 500V (Min. 60 Seconds)



I/O

Order Information

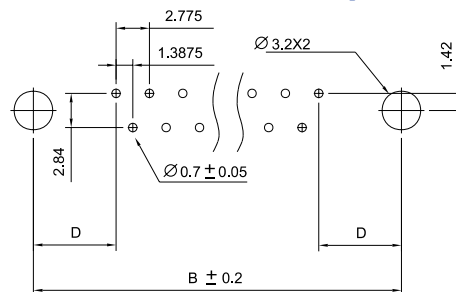
070906FS□□□□□□□□ZU
1 2 3 6 45

1. 'S' : Straight Dip Type
2. No. of Pins
3. Plating
4. Color 'Z' : Black
5. Package
'U' : Tube Package Without Cap
6. Pin Length

SUYIN P/NO.	DIM.L
070906FS□□□□□□01ZU	1.6mm
070906FS□□□□□□00ZU	2.2mm

Reference Page 11

Recommended P.C.B Layout



Dimensional Information

SUYIN P/NO.	DIM.A	DIM.B	DIM.C	DIM.D
070906FS009□□□□□□ZU	30.81	24.99	16.33	6.945
070906FS015□□□□□□ZU	39.14	33.32	24.66	6.9475
070906FS025□□□□□□ZU	53.04	47.04	38.38	6.87